


## Product Change Notice (PCN)

Amphenol Sine Systems


Date: 07/21/2022

Dear Valued Customer(s),

This letter is to notify you of a Part Change and/or Obsolescence that may affect your business. Please find the pertinent information listed below.




<b>PCN Number:</b>	<b>PCN-22001</b>		
<b>Amphenol Part No.:</b>	em eco mate® RM Back Shells - *See attached part listing		
<b>Origination Date:</b>	07/21/2022		
<b>Originator of Change:</b>	Dale Ryngaert		
<b>Change Status:</b>	<input checked="" type="checkbox"/> Permanent <input type="checkbox"/> Temporary <b>Effective Period:</b> _____ To _____		
<b>What is Changing?</b>	<input type="checkbox"/> Appearance <input type="checkbox"/> Material <input checked="" type="checkbox"/> Performance <input type="checkbox"/> Process <input type="checkbox"/> Size <input type="checkbox"/> Surface Treatment <input checked="" type="checkbox"/> Other Ease of assembly.		
	<input type="checkbox"/> Obsolete - <b>NO REPLACEMENT</b> <input checked="" type="checkbox"/> Obsolete - <b>WITH REPLACEMENT</b>		
<b>Reason for Change and Change Description:</b>	The enhanced EMI Shielding Clip will simplify cable prep & assembly where shielding requirements are needed. As a result, this is a rolling change and does not necessitate the immediate stoppage of the current EMI Shielding Ring. No impact to P/N description or price.		
<b>Drawing/Specs No.</b> <i>[attach list if needed]</i>	<b>Description</b>	<b>Assembly Instructions</b>	<b>Drawings/Attachments</b> <i>[attach list if needed]</i>
See our website for product drawings.	Rugged Metal Shielded Connectors		See our website for product drawings. <a href="http://ecomate-rm-Assembly-Instructions.pdf">ecomate-rm-Assembly-Instructions.pdf</a> (amphenol-sine.com)

DISCONTINUED KIT COMPONENT	NEW REPLACEMENT KIT COMPONENT	NEW ASSEMBLY KIT
<b>EMI SHIELDING RING</b>	<b>EMI SHIELDING CLIP</b>	<b>REPLACEMENT EMI SHIELDING CLIP</b>
		

<b>Affected Products:</b> <i>[attach list if needed]</i>	<b>Description:</b>
 eco mate® RM BACKSHELLS *SEE ATTACHED LISTING	RT0B- / RT0L- / RT0S- *See attached product listing for specific items

**SUPPORTING INFORMATION** *[Drawings, spreadsheets, notes, sketches, etc., \*Attach additional documents as needed.]*

<b>Other PCN's relating to this change</b>	N/A
<b>Additional items affected by the change(s)</b> <i>[Tooling, Test Procedure(s), Process/Product Audit Checklist, etc.]</i>	
<b>Impact of change to the Customer:</b>	N/A

DEPARTMENT	APPROVAL SIGNATURE	DATE
Engineering		Jul 21, 2022
Quality	 <small>Manuel Aranda (Jul 21, 2022 13:38 PDT)</small>	Jul 21, 2022
Marketing		Jul 21, 2022

Amphenol Sine Systems appreciates and values our business relationship, and we look forward to your continued interest in our products. While we regret any inconvenience this announcement may cause, we are eager to supply your future requirement(s) with our quality product lines.

Our Engineers, Product Managers, and Customer Service representatives are here to assist with any questions or concerns regarding this transition.

Thank you for your time and cooperation in acknowledging this Product Change Notification (PCN).

Sincerely,



**Mike Janecek, Operations Manager, N.A.**

**Amphenol Sine Systems**

44724 Morley Drive  
Clinton Township, MI 48036 USA  
Ph.: **586-913-8682**  
Email: [mjanecek@amphenol-sine.com](mailto:mjanecek@amphenol-sine.com)

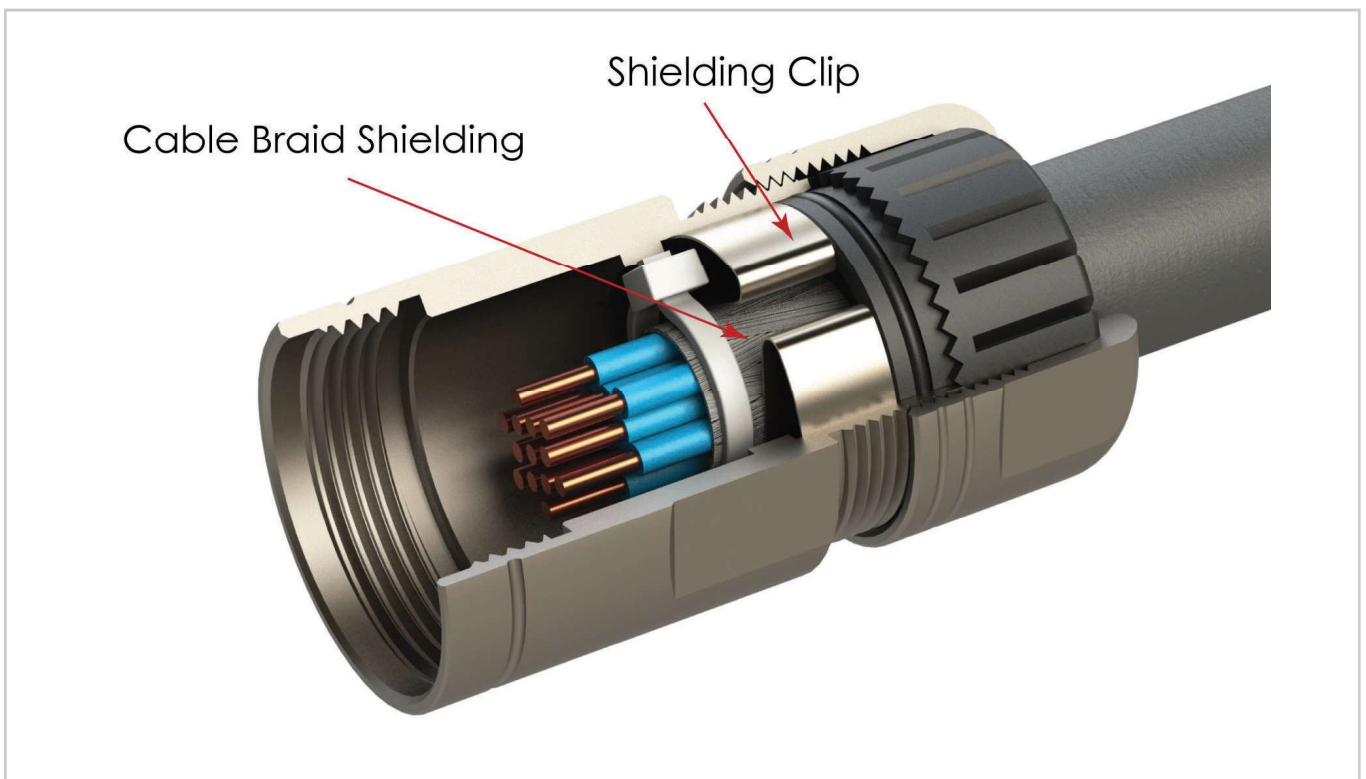
**ATTACHMENT: New and Old  RM Back Shell Parts Listing:**

OLD PART NUMBER	NEW PART NUMBER
RT0B-12CG-S1	RT0B-12CG-NS1
RT0B-12CG-S2	RT0B-12CG-NS2
RT0B-14CG-S1	RT0B-14CG-NS1
RT0B-14CG-S2	RT0B-14CG-NS2
RT0B-16CG-S1	RT0B-16CG-NS1
RT0B-16CG-S2	RT0B-16CG-NS2
RT0L-10CG-S1	RT0L-10CG-NS1
RT0L-10CG-S2	RT0L-10CG-NS2
RT0L-12CG-S1	RT0L-12CG-NS1
RT0L-12CG-S2	RT0L-12CG-NS1
RT0L-14CG-S1	RT0L-14CG-NS1
RT0L-14CG-S2	RT0L-14CG-NS1
RT0L-16CG-S1	RT0L-16CG-NS1
RT0L-16CG-S2	RT0L-16CG-NS1
RT0L-18CG-S1	RT0L-18CG-NS1
RT0L-18CG-S2	RT0L-18CG-NS1
RT0L-22CG-S1	RT0L-22CG-NS1
RT0L-22CG-S2	RT0L-22CG-NS1
RT0S-10CG-S1	RT0S-10CG-NS1
RT0S-10CG-S2	RT0S-10CG-NS2
RT0S-12CG-S1	RT0S-12CG-NS1
RT0S-12CG-S2	RT0S-12CG-NS2
RT0S-14CG-S1	RT0S-14CG-NS1
RT0S-14CG-S2	RT0S-14CG-NS2
RT0S-16CG-S1	RT0S-16CG-NS1
RT0S-16CG-S2	RT0S-16CG-NS2
RT0S-18-CG-S1	RT0S-18-CG-NS1
RT0S-18-CG-S2	RT0S-18-CG-NS2

**\*\*Please see our website for product drawings.**



New Assembly Kit with Replacement EMI Shielding Clip



em eco|mate® RM - Rugged Metal Assembly Cut-Away View